

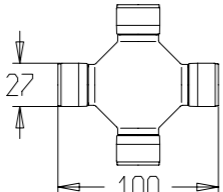
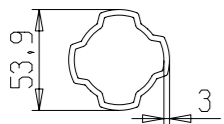

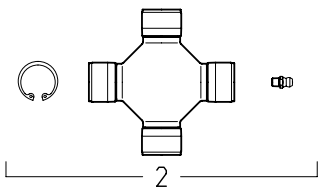


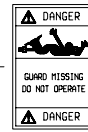
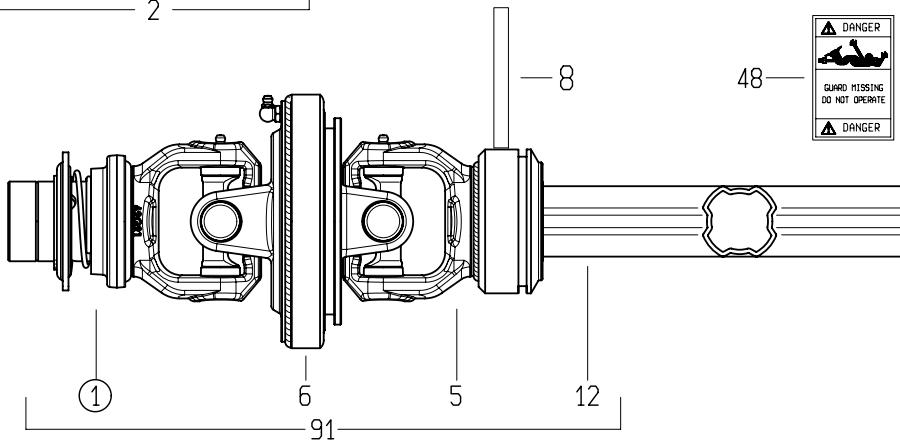
WARNING!

SECTIONS  OF THE ASSEMBLY MARKED  ARE NOT SHIELDED AND MUST BE SHIELDED BY AN INTERACTIVE GUARDING SYSTEM. BONDIOLI & PAVESI DECLINES RESPONSIBILITY IF PROPER GUARDS ARE NOT PROVIDED OR MAINTAINED.

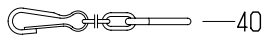
1	CODICE CODE WR8	LATO TRATTORE TRACTOR SIDE	LATO MACCHINA IMPLEMENT SIDE	TIPO-TYPE SFT-S6	CLIENTE / CUSTOMER 3600522 SAMSON AGRO A/S	RIF. CLIENTE / CUSTOMER REF. 935000274	
2	CODICE CODE			DATA / DATE 19/5/05	DISIGNATO / DESIGNED BY P. Spennato	TIPO DI MACCHINA / TYPE OF IMPLEMENT	
3	 L=1055			LUNGHEZZA MAX IN LAVORO MAX WORKING LENGTH Lw=	STUDIO / DESIGN	ORIGINE / ORIGIN CS6R109CEWR8EWSA	
4		VELOCITA' MAX MAX SPEED 540 min ⁻¹	M max 3000 Nm	LUNGHEZZA MAX TEMPORANEA MAX TEMPORARY LENGTH Lt=	LUNGHEZZA MAX NON IN ROTAZIONE MAX LENGTH AT STANDSTILL Ls=	NOTE / NOTES	
						CODICE / CODE CS6R121CEWR8EWSA	REV.



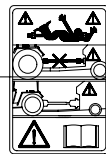
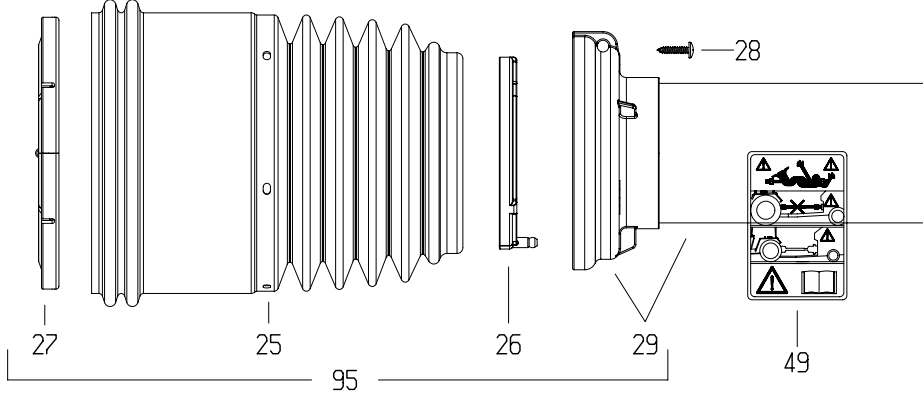
50



28 —
34 —

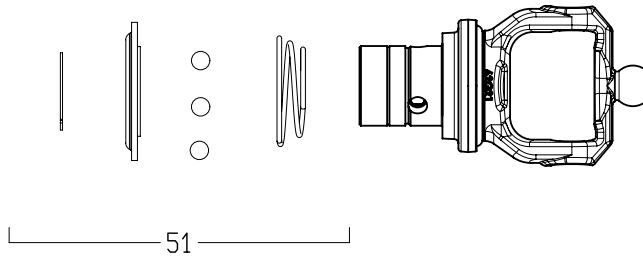


40



49

①



②1

DISEGNATO / DESIGNED BY
P. Spennato

DATA / DATE
19/05/2005

CODICE / CODE
CS6R121CEWR8EWSA

REV.